

OUTDOOR
SOLUTIONS

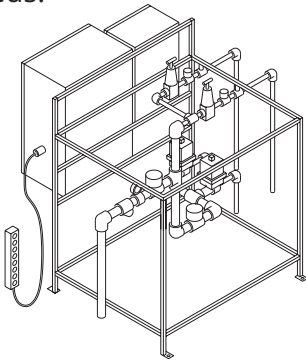


KFT[™]
FIRE TRAINER

REALISTIC FIRE | HAZMAT | EMERGENCY TRAINING SOLUTIONS

kft.firetrainer.com

Propane-fueled Outdoor-Industrial FIRETRAINER® O-250 systems provide the vital training needed to handle industrial, petrochemical, transportation and HazMat fire emergencies. KFT provides total control of all fire scenarios for safe and effective outdoor-industrial fire training. Emergency stop buttons, fail-safe valving, inextinguishable pilot flames and lock-out key switches are just a few of the standard safety features that distinguish KFT's fire training systems from "homemade" outdoor fire training props. The O-250 system is certified to NFPA and UL safety standards by a nationally recognized test laboratory (NRTL), as recommended by NFPA 1402. A comprehensive line of fires replicating class A, B and C fire scenarios is available. KFT can also custom design a training system to meet your particular training needs.



Prepare for Industrial, Petrochemical, Transportation & HazMat Fire Emergencies



Control Systems

computer-controlled valving ensures that the instructor is always in control of the fire scenarios

each fire scenario is controlled by its own local operating station with control pendant

the instructor has the freedom to initiate fires, simulate growth or extinguishment, and maintain full control with one button emergency-stop control

computer controls provide a level of safety that is unobtainable with "homemade" props



Industrial & Petrochemical

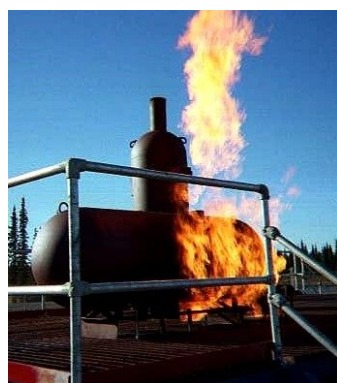
KFT's industrial and petrochemical line of outdoor trainers replicates the various fires found at industrial or petrochemical facilities. The following are just a few examples of KFT's industrial and petrochemical trainers:



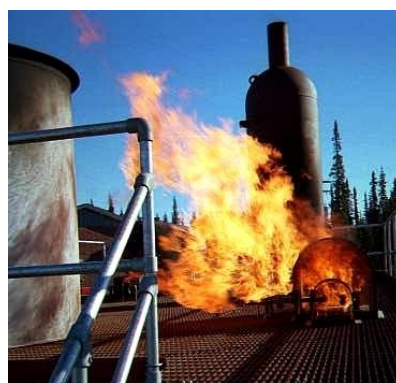
raised industrial platform



boil-over tank fire



horizontal tank fire



pump packing fire



vertical tank fire



boil-over & pit fire



custom industrial fire

More Standard Fires

KFT's outdoor fire training props simulate the various degrees of fire emergencies. The storage platform, paint locker and motor generator trainers represent class A, B, and C fires, respectively. With KFT's computer controls, up to three fires can be run from one central location to create numerous outdoor training scenarios.



A



storage platform fire

B



paint locker fire

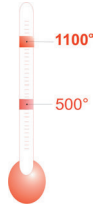
C



motor/generator fire

Intense Fire Training

- realistic large-scale fires
- class A, B, and C fire scenarios
- compatible with water, foam (CAFS & ARFF), powder surrogates and Co_2 extinguishing agents
- extended burn times ensure that all training objectives are met
- radiant and convective heat- up to 1100°F (593°C)



Environmentally Sound

- fully compliant with environmental guidelines
- fueled by clean burning propane (minute levels of soot and VOC's produced)
- benign smoke generation will not disturb the surrounding community
- eliminates concerns of local air, soil and water pollution
- low set-up and clean-up time results in significantly more training time

Safety Insured

- KFT's equipment is compliant with the current editions of NFPA 1402 guidelines and 1403 standards
- inextinguishable pilot flame guarantees each fire ignites on command
- certified to NFPA and UL safety standards by Intertek (ETL), a Nationally Recognized Testing Laboratory (NRTL)
- emergency stop buttons terminate training exercises immediately
- key switches prohibit unauthorized access to the trainer



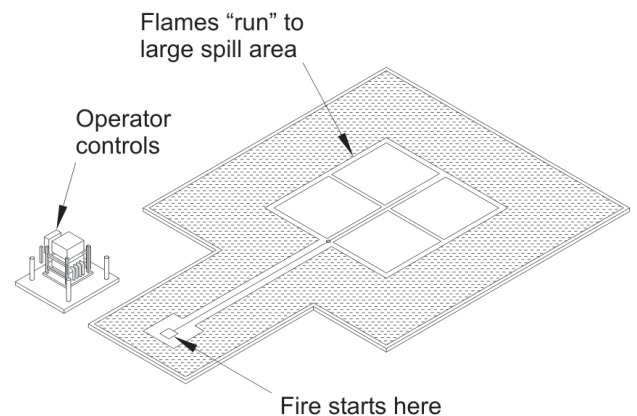
Outdoor-Industrial FIRETRAINER[®] O-250



Fuel Spill FIRETRAINER[®] O-250

Trainees can battle a large fuel spill fire without the concern of air, water or soil pollution. Intense flames reach as high as 25 feet (7.6m), while both flame spread and height are under the complete control of the instructor. For added realism, an overturned roadway tanker trailer or railway tanker car (customer supplied) can be positioned adjacent to the fire.

Fires start in a 5 x 5 foot (1.5 x 1.5m) area and run to a larger 20 x 20 foot (6 x 6m) fuel spill area for over 57 linear feet (17m) of fire! In addition, the clean burning LPG fires are compatible with water and foam, including training foam.





on-site operator training included

Specifications

- fuel supply propane (consult KFT applications engineering for fuel consumption rates)
- electrical supply 120/240 VAC, 50/60 Hz
- smoke generation 10,000 cu. ft./min (283 cu. m./min) per fire (where applicable) KFT Type II smoke fluid

Warranty & Support

- on-site start-up service and training by a factory technician included
- 12-month parts warranty with 24/7 toll-free support
- While corrosion resistant steel mock-ups and top quality hardware components ensure a long service life, extended warranties are available:
 - Comprehensive Extended Warranty- two preventative maintenance visits per year, plus corrective service labor and parts
 - Maintenance Extended Warranty- two preventative visits per year
 - Parts Extended Warranty- toll-free phone, fax, & e-mail support, plus corrective parts

Options

- wireless controls
- explosion noise generator
- integrated sound system
- smoke generation system



 **USA** KFT Fire Trainer, LLC, 5 Pearl Court, Unit D, Allendale, NJ, 07401, USA
+1.201.300.8100

 **Germany** KFT Fire Trainer GmbH, Sonnenweg 13, 52070 Aachen, Germany
+49.241.180.580

 **UK** KFT Fire Trainer GmbH, Unit 1a Midland Place, Barlborough S43 4FR, UK
+44.1246.819.755

 **Hong Kong** KFT APAC, Unit 1109, 11/F, Tower 3, Phase 1 Enterprise Square, 9 Sheung Yuet Road, Kowloon Bay, HK
+852.3706.6333

kft.firetrainer.com