



# AVIATION SOLUTIONS



Automatic Agent Response

Automatic Controls

Programmable Fires

ICAO-Compliant CAT 10 Training Simulator

**KFT**<sup>™</sup>  
FIRE TRAINER

REALISTIC  
FIRE | HAZMAT | EMERGENCY  
TRAINING SOLUTIONS

[kft.firetrainer.com](http://kft.firetrainer.com)

## Overview

The Aircraft FIRETRAINER® A-2000 enables you to recreate a series of different emergency scenarios, including interior and exterior incident fires and large-scale fuel spill fires, all managed by an adjacent control tower and PC control station. Inside, a series of fires can be accessed by a series of doors on multiple levels, helping you to develop realistic rescue scenarios.

The Aircraft FIRETRAINER® A-2000's fires are fully programmable and automatically respond to the application of extinguishing media, for a realistic fire response.

Fire simulations utilize clean burning propane. Alternately, "dual fueled" fire simulations are available that burn either kerosene for maximum realism or propane for environmental compliance.

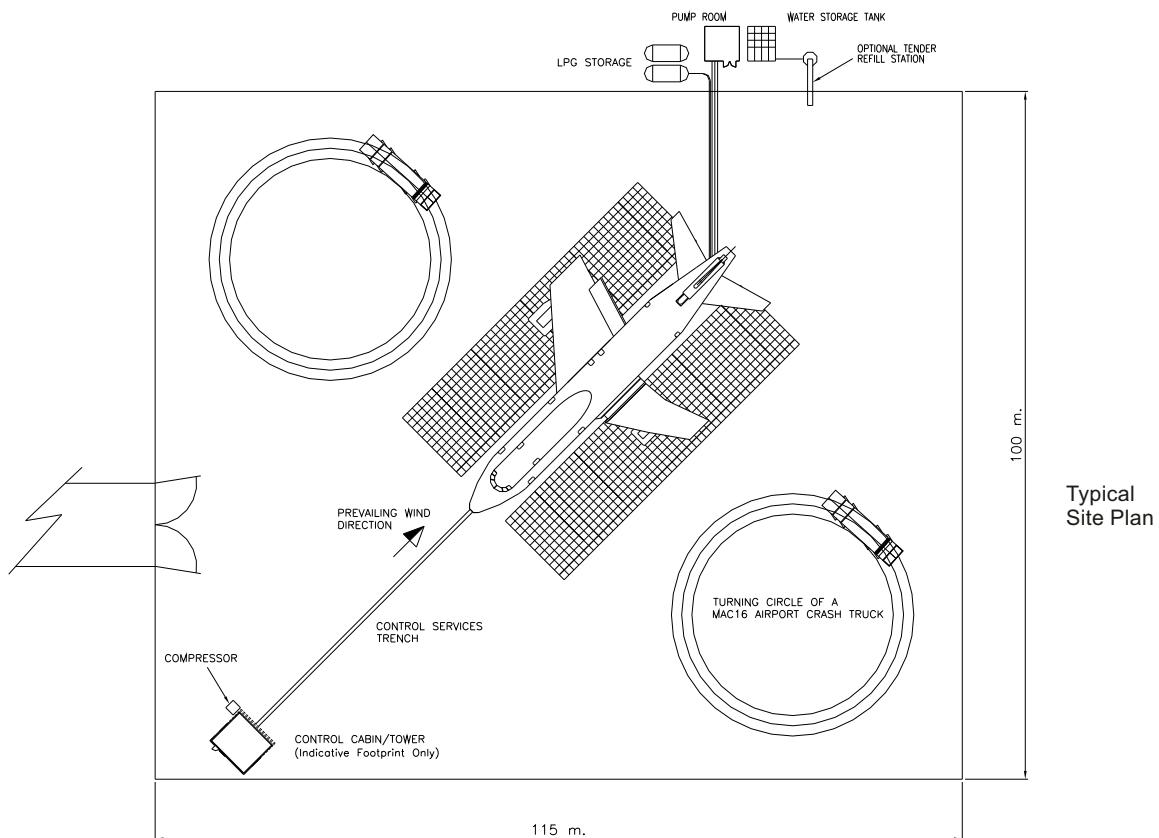
KFT can provide a standard or custom design to fit your particular ARFF training needs.

## After Sales Support

All KFT Fire Trainer products are backed by the support of our worldwide service department. With over 20 service technicians, dedicated full time to KFT Fire Trainer and strategically located around the world, all KFT Fire Trainer's customers can expect the very best in timely support by factory trained personnel.

## Corporate Qualifications

With deliveries of hundreds of live fire trainers worldwide over the past 30 years, to all types of fire training professionals, KFT Fire Trainer has established itself as the world's leader in the supply of gas fueled live fire trainers.



The 747 Aircraft FIRETRAINER® A-2000 is designed to meet the demand for firefighter training in the most real and challenging of situations. Virtually any aircraft crisis, including all aspects of incident command and control, can be created simply and safely at the touch of a button.

## SAFETY INSURED

- dual-channel air-monitoring ensures unburned fuel gas does not reach dangerous levels inside trainer
- inextinguishable pilot flames guarantees each fire ignites on command
- temperature monitoring allows realistic temperatures, guards firefighting temperatures, guards against excessive heat conditions
- emergency stop buttons terminate the training exercise immediately

## ENVIRONMENTALLY SOUND

- fueled by clean burning propane
- benign smoke generation will not disturb the community
- eliminates concerns of local air pollution and water pollution
- low set-up and clean-up time, more training time



Patented "Drive-On" Fuel Spill allows rescue vehicles to drive right up to the aircraft mockup.

# 747 Aircraft FIRETRAINER<sup>®</sup> A-2000



## TYPICAL INTERNAL FIRES

- internal cockpit fire
- cabin fire
- overhead bin fire
- cabin flashover effect
- passenger/seat area fire
- lavatory fire
- galley fire
- crew rest area fire

## TYPICAL EXTERNAL FIRES

- wing engine fire
- tail engine fire
- fuselage fires
- wheel/brake fire
- APU fires
- 3-D engine fire
- fuel spill fires



Full-scale door sill heights



Realistic aircraft interiors



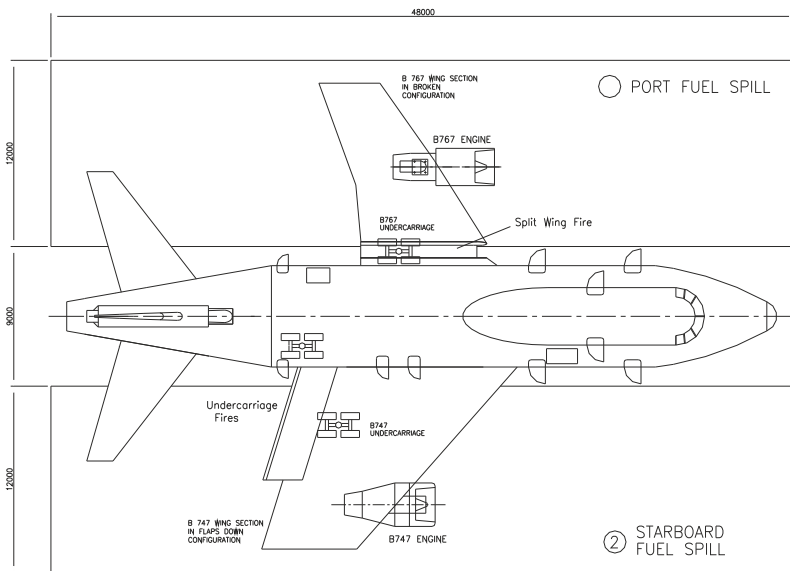
Large-area fuel spill fires



ICAO-compliant aircraft fire training simulator

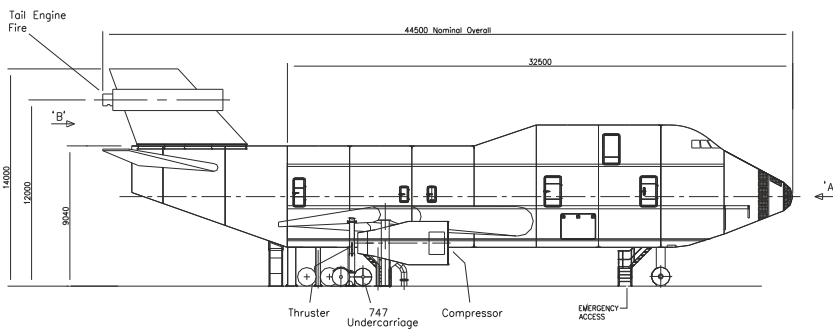
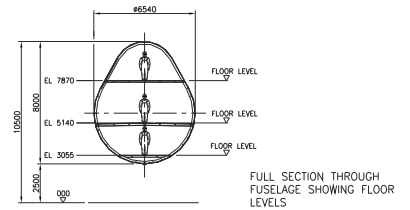


CAT 9/10 B747 aircraft mock-ups

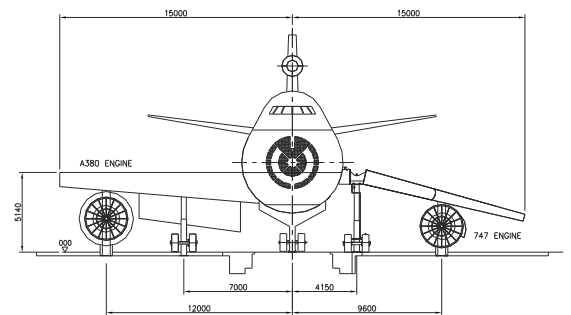


PLAN VIEW

Typical Dimensions (mm)  
(may be adjusted to suit airport requirements)



SIDE ELEVATION OF FUSELAGE



**USA**  
**KFT Fire Trainer, LLC**, 5 Pearl Court, Unit D,  
Allendale, NJ, 07401, USA  
**+1.201.300.8100**, info-us@kft.firetrainer.com



**Germany**  
**KFT Fire Trainer GmbH**, Sonnenweg 11d, 52070  
Aachen, Germany  
**+49.241.180.580**, info-eu@kft.firetrainer.com



**UK**  
**KFT Fire Trainer GmbH**, Unit 1a Midland Place,  
Barlborough S43 4FR, UK  
**+44.1246.819.755**, info-uk@kft.firetrainer.com



**Hong Kong**  
**KFT APAC**, Unit 1109, 11/F, Tower 3, Phase 1  
Enterprise Square, 9 Sheung Yuet Road, Kowloon  
Bay, HK  
**+852.3706.6333**, info-hk@kft.firetrainer.com